



# Service Manual

## Hotplates - Section A

### Includes:

Plug-in, Monotubes, Solid Hotplates,  
Underglass Ceramic Hotplates

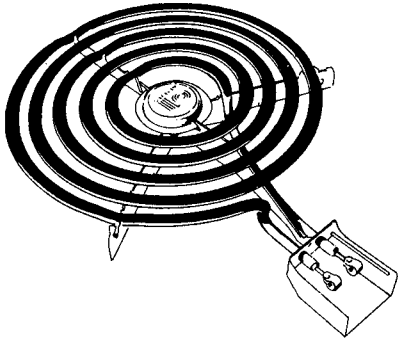
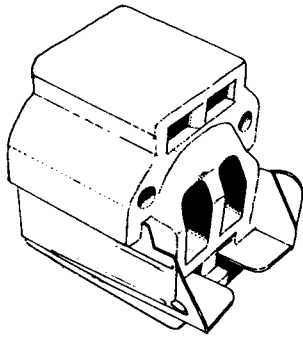
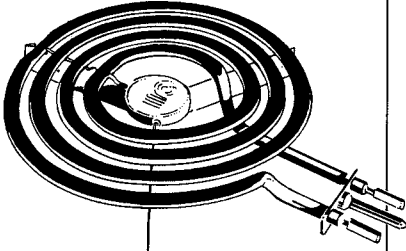
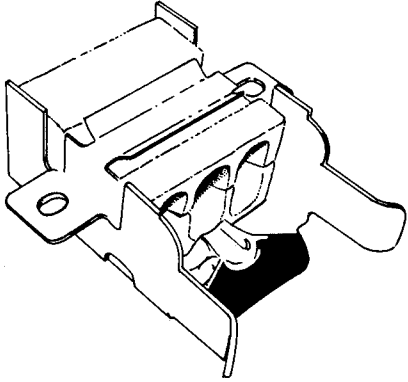
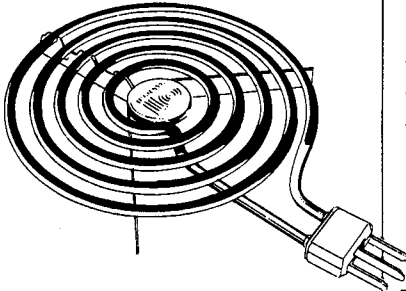
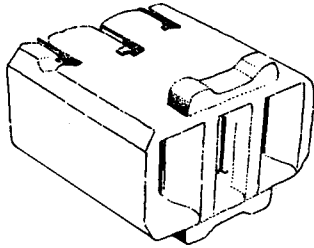
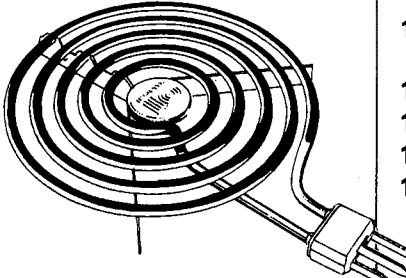
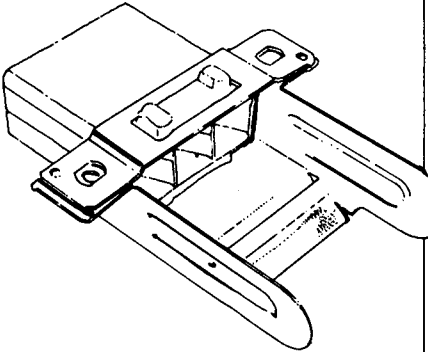
### Stokes Appliance Parts - National Administration Centre

24 Palmerston Road West, Ringwood, Victoria 3134, Australia

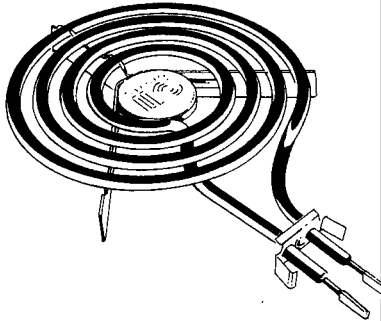
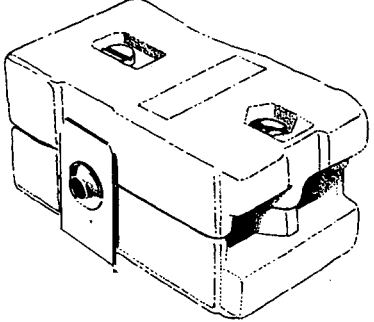
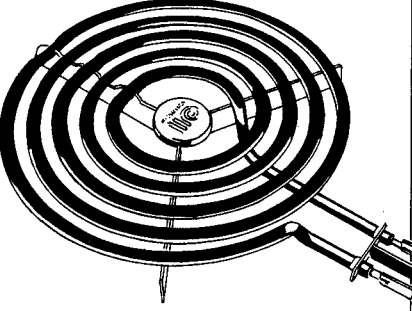
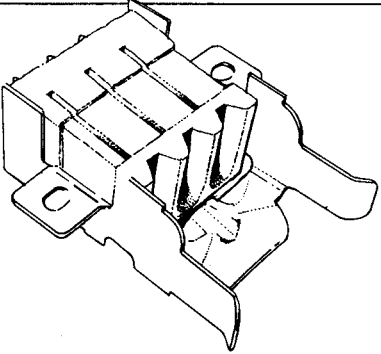
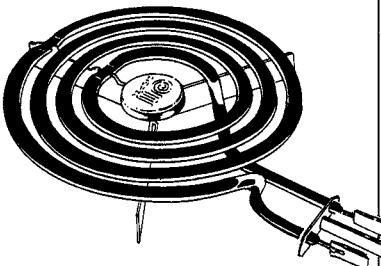
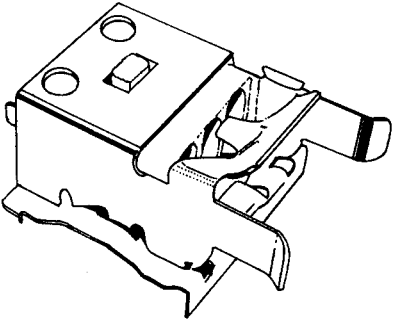
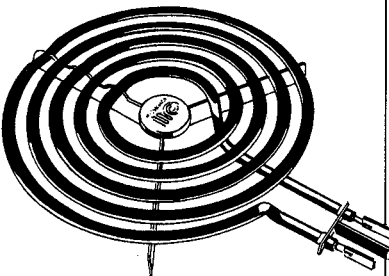
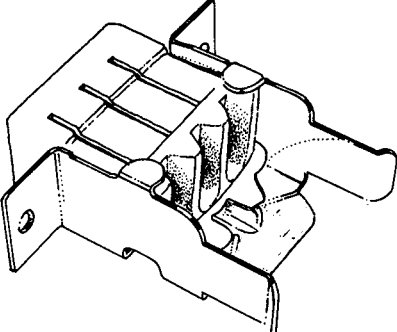
Ph: 61 3 9872 7474 Fax: 61 3 9872 7400 Freecall: 1800 333 191

E-mail: [parts@stokes-aus.com.au](mailto:parts@stokes-aus.com.au) Web: [www.stokesap.com.au](http://www.stokesap.com.au)

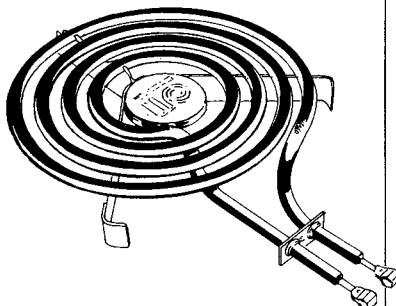
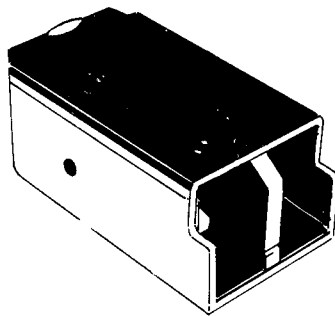
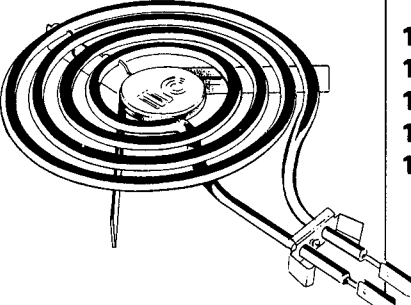
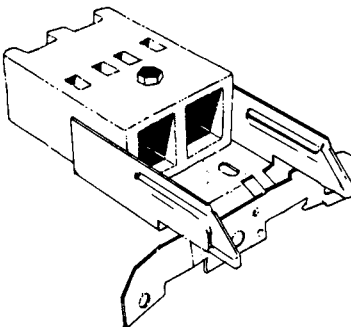
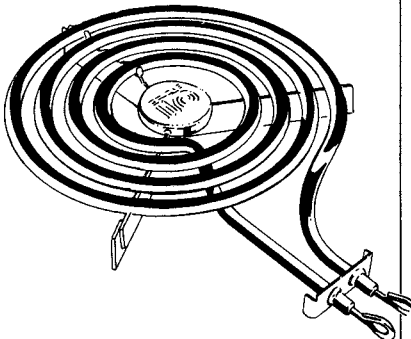
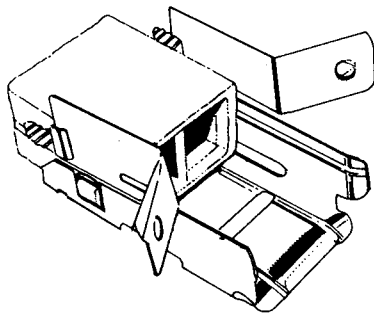
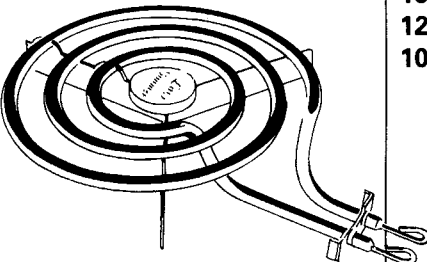
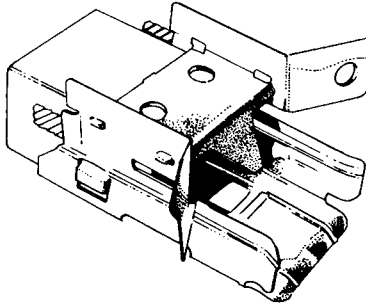
**Plug-in**

	<p><b>1050-10</b> 8" 2100 Watt Element  <b>1051-10</b> 6¼" 1500 Watt Element  <b>1052-10</b> 6¼" 1250 Watt Element</p> <p><b>2050-20</b> Socket (Simpson &amp; IXL)  <b>3050-20</b> Socket (Chef)  <b>1255-42</b> 8" Trim Ring  <b>1256-07</b> 6¼" Trim Ring  <b>1090-05</b> 8" Drip Pan  <b>1091-05</b> 6¼" Drip Pan</p>	
<p><b>Notes:</b> Used in some early Chef, Simpson and IXL ranges. Please note 2050-20 &amp; 3050-20 are not interchangeable.</p>		
	<p><b>1190-10</b> 8" 2100 Watt Element  <b>1191-10</b> 6¼" 1500 Watt Element  <b>1192-10</b> 6¼" 1250 Watt Element</p> <p><b>1190-20</b> Socket Assembly  <b>1255-42</b> 8" Trim Ring  <b>1256-07</b> 6¼" Trim Ring  <b>1090-05</b> 8" Drip Pan  <b>1091-05</b> 6¼" Drip Pan</p>	
<p><b>Notes:</b> Distinguishing feature is the round centre earth pin.</p>		
	<p><b>1248-10</b> 8" 2100 Watt Element  <b>1249-10</b> 6¼" 1500 Watt Element  <b>1250-10</b> 6¼" 1250 Watt Element</p> <p><b>1248-20H</b> Socket - Horizontal Tabs  <b>1248-20V</b> Socket - Vertical Tabs  <b>1255-42</b> 8" Trim Ring  <b>1256-07</b> 6¼" Trim Ring  <b>1090-05</b> 8" Drip Pan  <b>1091-05</b> 6¼" Drip Pan</p>	
<p><b>Notes:</b> Distinguishing feature is the 3 flat probes protruding from a ceramic mount block. Original series had a metal mount block.</p>		
	<p><b>1248-10S</b> 8" 2100 Watt Element  <b>1250-10S</b> 6¼" 1250 Watt Element</p> <p><b>1248-20S</b> Socket to suit Shallow Version Elements above  <b>1255-42</b> 8" Trim Ring  <b>1256-07</b> 6¼" Trim Ring  <b>1090-05</b> 8" Drip Pan  <b>1091-05</b> 6¼" Drip Pan</p>	
<p><b>Notes:</b> Shallow Version of the 1248-10 &amp; 1250-10 elements used in some Simpson and Everhot Ranges replaces original part nos. 1548-10 use 1248-10S &amp; 1550-10 use 1250-10S.</p>		

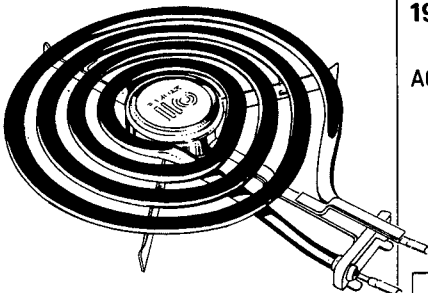
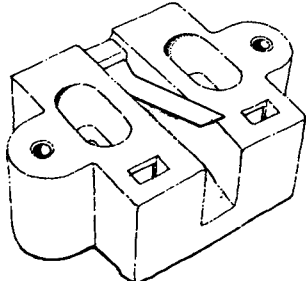
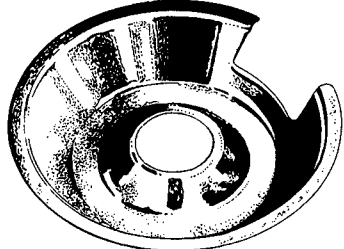
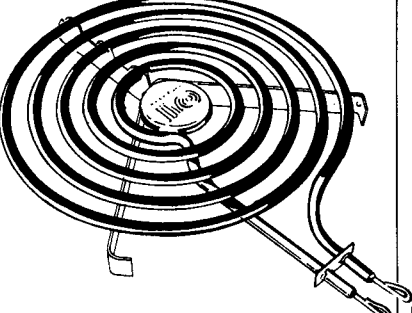
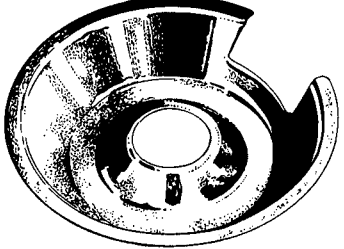
## Plug-in (cont.)

	<p><b>1251-10</b> 8" 2100 Watt Element  <b>1253-10</b> 6¼" 1250 Watt Element</p> <p><b>1251-30</b> Ceramic Socket  <b>1251-20</b> Socket and Metal Holder (Limited Availability)</p> <p><b>1255-42</b> 8" Trim Ring  <b>1256-07</b> 6¼" Trim Ring  <b>1090-05</b> 8" Drip Pan  <b>1091-05</b> 6¼" Drip Pan</p> <p><b>Notes:</b> When replacing Metters Elements 2248/2249 use 1251-30 Socket and Malleys C6300-1/C-8400-1 use 1251-20 Socket. Note Two Piece Mount Plate which can be removed for installation in units with narrow openings.</p>	
	<p><b>1401-10</b> 8" 2100 Watt Element  <b>1403-10</b> 6¼" 1250 Watt Element  <b>1403-14</b> 6¼" Sensor Type - (Ltd Avail.)</p> <p><b>1401-20</b> Socket Assembly (Early Mod.)  <b>1401-40</b> Socket Assembly (Later Mod.)</p> <p><b>1255-42</b> 8" Trim Ring  <b>1256-07</b> 6¼" Trim Ring  <b>1090-05</b> 8" Drip Pan  <b>1091-05</b> 6¼" Drip Pan</p> <p><b>Notes:</b> Used extensively in Simpson Ranges and some IXL Ranges. 1403-10 replaces 122-4-139, 1401-10 replaces 122-4-141, 1401-20 replaces 102-8-69, 1401-40 replaces 102-8-45.</p>	
	<p><b>1421-10</b> 8" 2100 Watt (Chef) Element  <b>1423-10</b> 6¼" 1250 Watt (Chef) Element</p> <p><b>1421-20</b> Socket Assembly (No Stud)  <b>1421-20C</b> Socket Assembly (Threaded Stud)</p> <p><b>1255-42</b> 8" Trim Ring  <b>1256-07</b> 6¼" Trim Ring  <b>1090-05</b> 8" Drip Pan  <b>1091-05</b> 6¼" Drip Pan</p> <p><b>Notes:</b> Used extensively in Chef Ranges. Socket 1421-20C (Stud Type) used in some Chef Models after 1978.</p>	
	<p><b>1421-10A</b> 8" 2100 Watt (New World) Element  <b>1423-10A</b> 6¼" 1250 Watt (New World) Element</p> <p><b>1421-20A</b> Socket Assembly</p> <p><b>1255-42</b> 8" Trim Ring  <b>1256-07</b> 6¼" Trim Ring  <b>1090-05</b> 8" Drip Pan  <b>1091-05</b> 6¼" Drip Pan</p> <p><b>Notes:</b> Used extensively in New World Ranges.</p>	

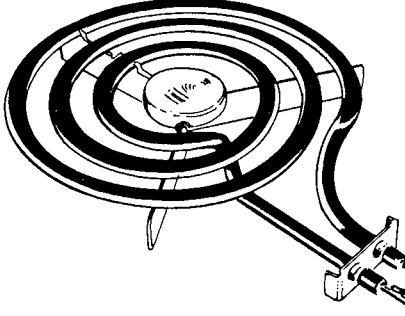
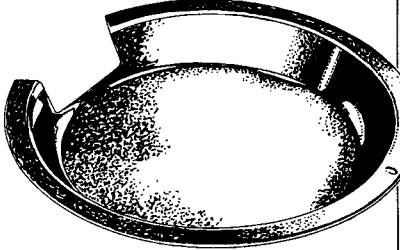
Plug-in (cont.)

	<p><b>1749</b> 8" 2100 Watt Element  <b>1748</b> 6¼" 1250 Watt Element</p> <p><b>1748-20</b> Black Phenolic Socket  <b>1748S</b> 8" Element &amp; Socket Kit  <b>1749S</b> 6¼" Element &amp; Socket Kit  <b>1255-42</b> 8" Trim Ring  <b>1256-07</b> 6¼" Trim Ring  <b>1090-05</b> 8" Drip Pan  <b>1091-05</b> 6¼" Drip Pan</p>	
<p><b>Notes:</b> Used mainly in Malleys, Metters and Modern Maid Ranges. Elements have two knuckle type terminals.</p>		
	<p><b>1751</b> 8" 2100 Watt Element  <b>1753</b> 6¼" 1250 Watt Element</p> <p><b>1782-20</b> Ceramic Socket  <b>1255-42</b> 8" Trim Ring  <b>1256-07</b> 6¼" Trim Ring  <b>1090-05</b> 8" Drip Pan  <b>1091-05</b> 6¼" Drip Pan</p>	
<p><b>Notes:</b> Used mainly in Malleys and some GEC Ranges. Elements have two broad terminals.</p>		
	<p><b>1801-10</b> 8" 2100 Watt Element  <b>1803-10</b> 6¼" 1250 Watt Element  <b>1805-10</b> 4½" 450 Watt Element  <b>1801-20</b> Ceramic Socket  <b>1801-30</b> Ceramic Socket (Modern Maid only)</p> <p><b>1255-42</b> 8" Trim Ring  <b>1256-07</b> 6¼" Trim Ring  <b>1090-05</b> 8" Drip Pan  <b>1091-05</b> 6¼" Drip Pan  <b>(1811-10)</b> Not Avail. - use 1801-10)</p>	
<p><b>Notes:</b> Used in some later model Simpson, Modern Maid and Chef Ranges. This element does not replace the similar Canadian Chromalox brand. Refer to equivalent section for Part Nos.</p>		
	<p><b>1804-10LS</b> 6¼" 900 Watt Element</p> <p><b>1804-20</b> Ceramic Socket  <b>1256-07</b> 6¼" Trim Ring  <b>1091-05</b> 6¼" Drip Pan</p>	
<p><b>Notes:</b> Used in majority of Chef Models built after October 1978. 1804-10LS is not interchangeable with 1803-10.</p>		

## Plug-in (cont.)

	<p><b>1901</b> 8" 2100 Watt Element  <b>1902</b> 6¼" 1500 Watt Element  <b>1903</b> 6¼" 1250 Watt Element</p> <p>ACCESSORIES – See below items          ie 1245-20 etc.</p>	<p><b>Notes:</b> Used in some Westinghouse, Modern Maid, Davell, New World and St George Ranges. Element has 2 round pins with earth probe. Replaces obsolete series 1245-10, 1246-10 and 1247-10.</p>
	<p><b>1245-20</b> Socket (GEC, W/House and Modern Maid)  <b>1245-30</b> Socket (Davell, New World and St George)  <b>1901-09</b> 8" Trim Ring  <b>1903-09</b> 6¼" Trim Ring  <b>1090-05</b> 8" Drip Pan  <b>1091-05</b> 6¼" Drip Pan  <b>1901-19</b> 8" Support (Early Email Elements)  <b>1903-19</b> 6¼" Support (Early Email Elements)</p>	
	<p><b>2441-10</b> 8" 2100 Watt Element  <b>2443-10</b> 6¼" 1250 Watt Element</p> <p><b>2441-20</b> Socket – Limited Availability  <b>1255-42</b> 8" Trim Ring  <b>1256-07</b> 6¼" Trim Ring  <b>1090-05</b> 8" Drip Pan  <b>1091-05</b> 6¼" Drip Pan</p>	 <p>2441-20 no longer available when existing stock is sold.</p>
	<p><b>Notes:</b> Used in some early Everhot Ranges. 2441-10 replaces 2770 and 42087. 2443-10 replaces 2768 and 42086.</p>	

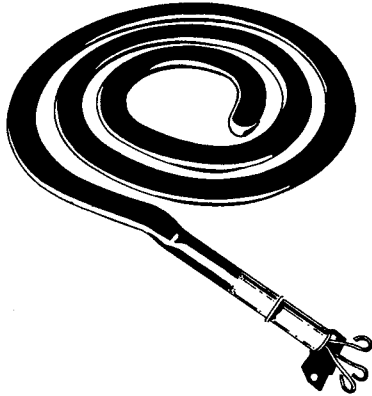
Plug-in (cont.)

	<p><b>3501-10</b> 180mm 1800 Watt Element  <b>3503-10</b> 145mm 1100 Watt Element  <b>3501-09</b> 180mm Trim Ring and Socket complete  <b>3503-09</b> 145mm Trim Ring and Socket complete  <b>3501-05</b> 180mm Drip Pan  <b>3503-05</b> 145mm Drip Pan  <b>3521-09</b> 180mm Trim Ring – St Steel  <b>3523-09</b> 145mm Trim Ring – St Steel  <b>3521-20</b> Ceramic Socket</p>	
<p><b>Notes:</b> Used in recent Chef Models. Combination Trim Ring and Socket used in early models. Separate Trim Ring and Socket used in later models.</p>		

Plug-in – Future Products

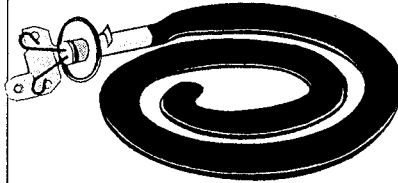

Wired-in

**FRIGIDAIRE**



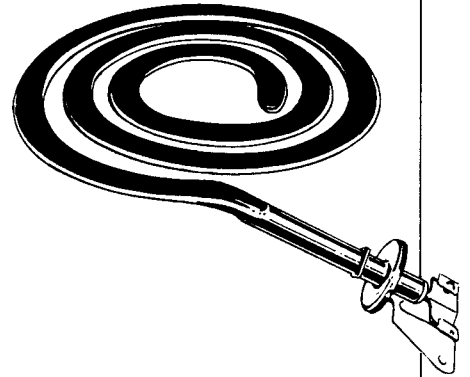
Cat No. 001-23 (8" 2100 watt)  
Cat No. 002-23 (6¼" 1250 watt)  
FRIGIDAIRE MONOTUBES

**FRIGIDAIRE**



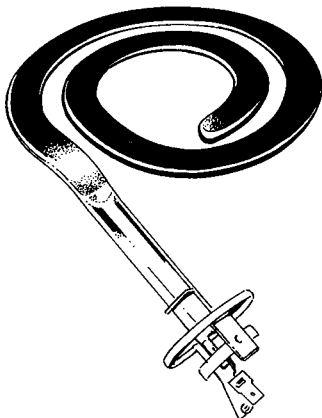
Cat No. 131-23 (8" 2100 watt)  
Cat No. 132-23 (6¼" 1250 watt)  
FRIGIDAIRE MONOTUBES

**FRIGIDAIRE**



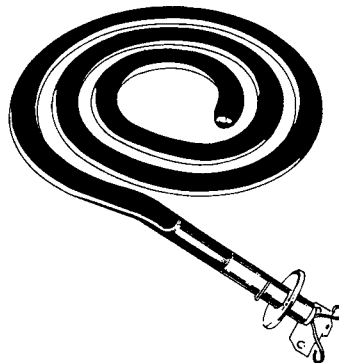
Cat No. 231-23 (8" 2100 watt)  
Cat No. 232-23 (6¼" 1250 watt)  
FRIGIDAIRE MONOTUBES

**FRIGIDAIRE**



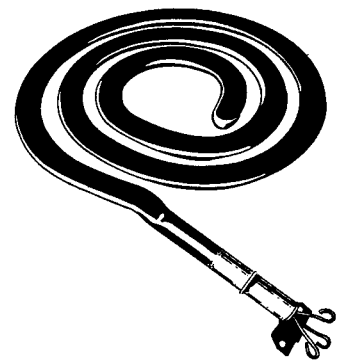
Cat No. 331-23 (8" 2100 watt)  
Cat No. 332-23 (6¼" 1250 watt)  
FRIGIDAIRE MONOTUBES

**FRIGIDAIRE**



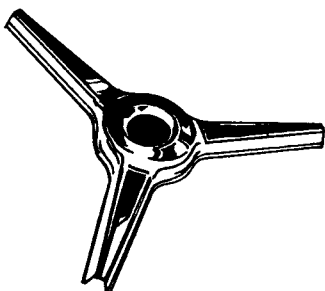
Cat No. 431-23 (8" 2100 watt)  
Cat No. 432-23 (6¼" 1250 watt)  
FRIGIDAIRE MONOTUBES

**FRIGIDAIRE**



Cat No. 531-23 (8" 2100 watt)  
Cat No. 532-23 (6¼" 1500 watt)  
FRIGIDAIRE MONOTUBES

**FRIGIDAIRE**



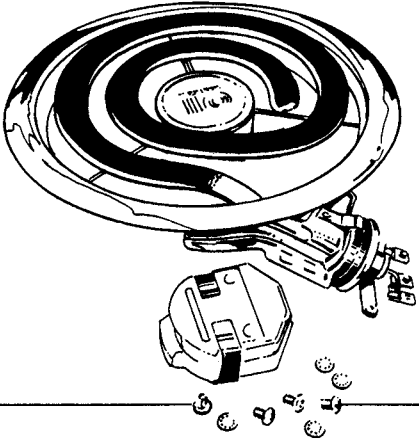
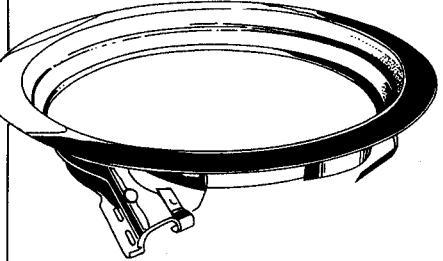
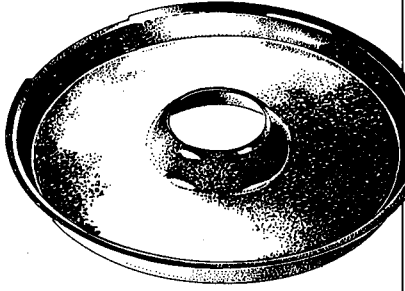

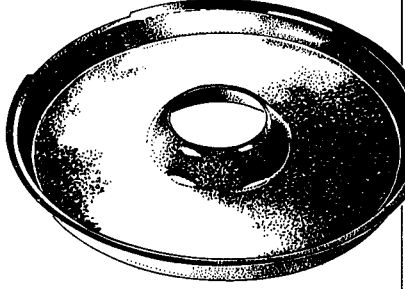
Cat No. FP468484 (8")  
Cat No. FP468483 (6¼")  
SUPPORT FOR  
FRIGIDAIRE ELEMENTS

**FRIGIDAIRE QUICK REFERENCE GUIDE**

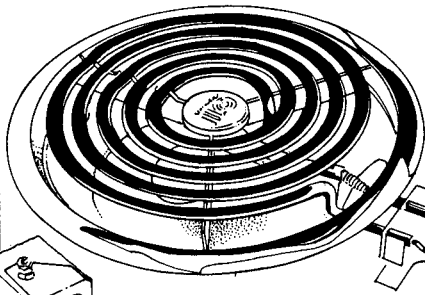
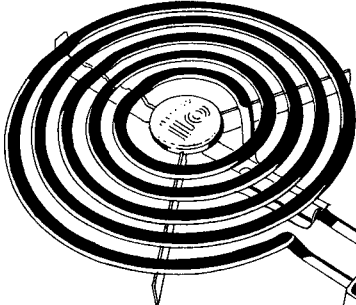
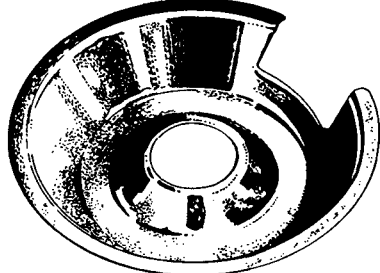
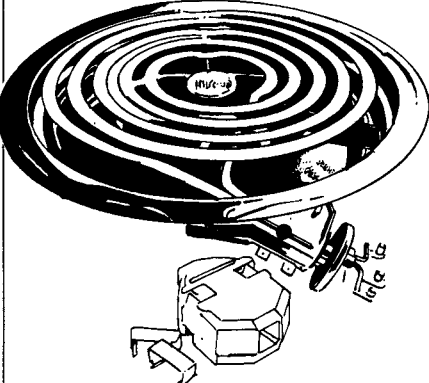
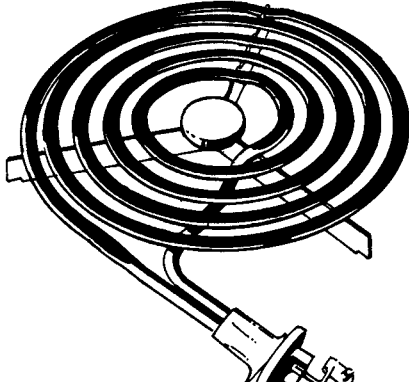
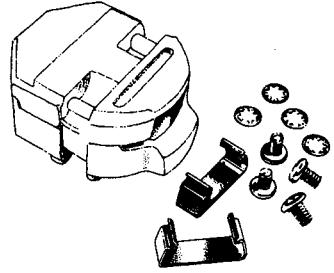
Frigidaire Part No.	Stokes Equivalent	Frigidaire Part No.	Stokes Equivalent
2624103	= 531-23	7394868	= 002-23
2624104	= 532-23	7397073	= 002-23
2624105	= 531-23	7397074	= 002-23
2624106	= 532-23	7399000	= 132-23
2626666	= 532-23	7399001	= 131-23
2826338	= 531-23	7399642	= 232-23
3336212	= 432-23	7399643	= 231-23
3338468	= 431-23	7443514	= 332-23
3338972	= 432-23	7443532	= 331-23
3338973	= 431-23	7445124	= 432-23
7394544	= 002-23	7445125	= 532-23
7394867	= 001-23	7445128	= 431-23



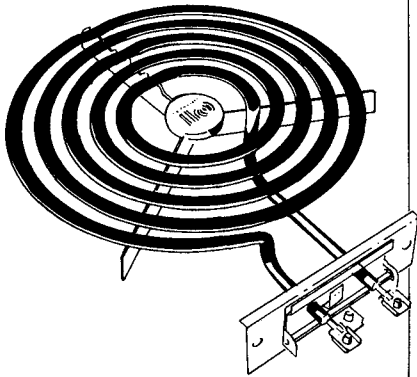
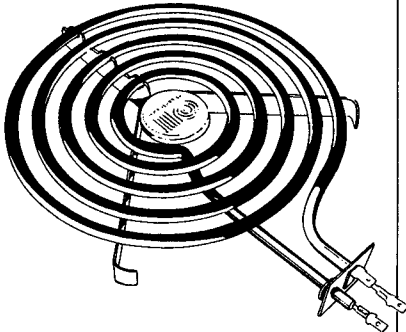
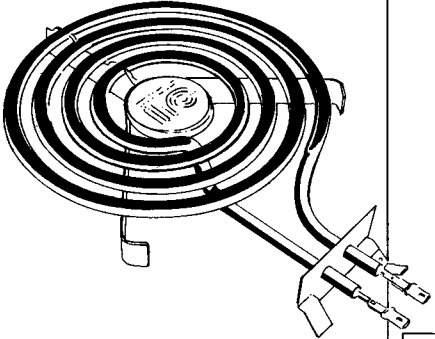
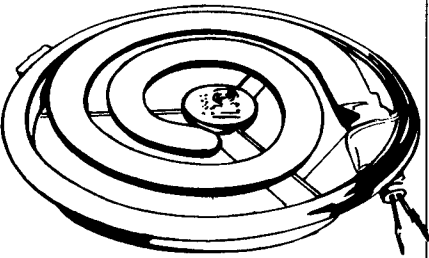
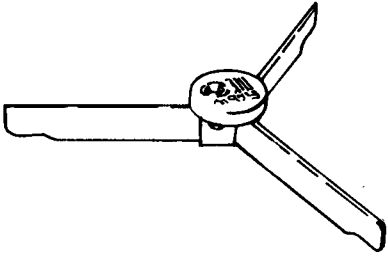
## Wired-in (cont.)

	<p><b>004IH</b> 8" 2100 Watt Assembly (11/16" Trim Ring)</p> <p><b>005IH</b> 6¼" 1250 Watt Assembly (11/16" Trim Ring)</p> <p><b>004RH</b> 8" 2100 Watt Assembly (15/16" Trim Ring)</p> <p><b>005RH</b> 6¼" 1250 Watt Assembly (15/16" Trim Ring)</p> <p>All above units come complete with Trim Ring, Drip Pan and Termination Pack.</p> <p>ACCESSORIES – See below X137 etc.</p>	
<p><b>Notes:</b> Monotube type elements suitable for three heat switching or infinite control.</p>		
	<p><b>X137IH</b> 8" Trim Ring (11/16" wide)</p> <p><b>X138IH</b> 6¼" Trim Ring (11/16" wide)</p> <p><b>X137RH</b> 8" Trim Ring (15/16" wide)</p> <p><b>X138RH</b> 6¼" Trim Ring (15/16" wide)</p> <p><b>G225</b> 8" Drip Pan</p> <p><b>G229</b> 6¼" Drip Pan</p> <p><b>F209</b> 8" Support</p> <p><b>F210</b> 6¼" Support</p> <p><b>004-30</b> Termination Pack</p>	
<p><b>Notes:</b> Accessories for Complete Assemblies. Part Nos. 004IH/005IH and 004RH/005RH.</p>		
	<p><b>089-6</b> 8" 2700 Watt Element</p> <p><b>X137RH</b> 8" Trim Ring</p> <p><b>G225</b> 8" Drip Pan</p> <p><b>F209</b> 8" Support</p>	
<p><b>Notes:</b> Used in various Waldorf Commercial Cooking Units and various other commercial units.</p>		

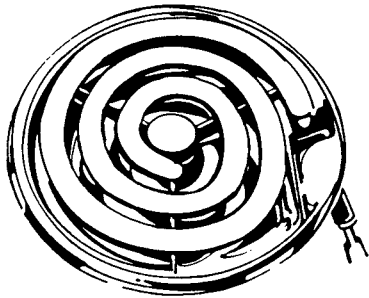
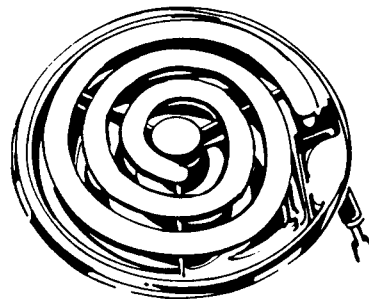
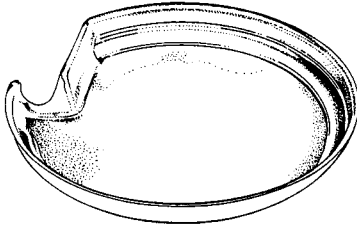
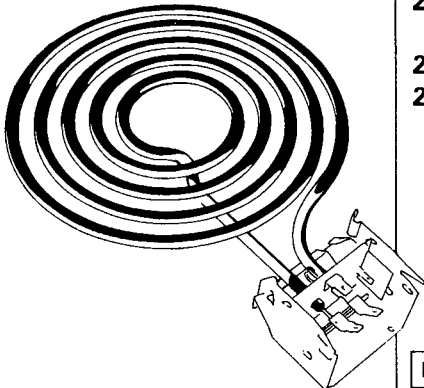
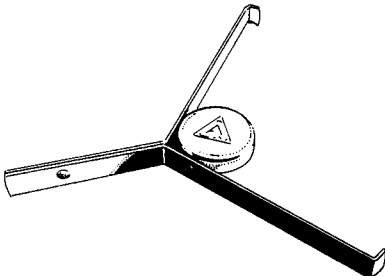
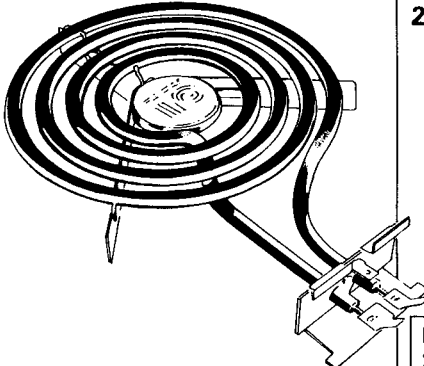
Wired-in (cont.)

	<p><b>1090</b> 8" 2100 Watt Assembly  <b>1091</b> 6¼" 1500 Watt Assembly  <b>1092</b> 6¼" 1250 Watt Assembly</p> <p>All above units come complete with Trim Ring, Drip Pan and Termination Pack.</p> <p>ACCESSORIES - see below items          ie <b>1090-10</b> etc.</p>	
<p><b>Notes:</b> Universal series replacement for all single circuit wired-in hob mounted hotplates except those hinged direct to hob duct. Replaces part nos. 2188, 2189, 2012, 2010 and many other wired-in units.</p>		
	<p><b>1090-10</b> 8" 2100 Watt Element  <b>1091-10</b> 6¼" 1500 Watt Element  <b>1092-10</b> 6¼" 1250 Watt Element</p> <p><b>1090-36</b> Termination Pack  <b>1090-52</b> 8" Trim Ring  <b>1091-52</b> 6¼" Trim Ring  <b>1090-05</b> 8" Drip Pan  <b>1091-05</b> 6¼" Drip Pan</p>	
<p><b>Notes:</b> Accessories for complete assemblies part nos. 1090, 1091 and 1092.</p>		
	<p><b>166</b> 8" 2100 Watt Assembly  <b>167</b> 6¼" 1500 Watt Assembly  <b>171</b> 6¼" 1250 Watt Assembly</p> <p>All above units come complete with Trim Ring, Drip Pan and Termination Pack.</p> <p>ACCESSORIES - see below items          ie <b>164</b> etc.</p>	
<p><b>Notes:</b> Hob mounted units used in some Simpson models.</p>		
	<p><b>164</b> 8" 2100 Watt Element  <b>165</b> 6¼" 1500 Watt Element  <b>170</b> 6¼" 1250 Watt Element</p> <p><b>004-30</b> Termination Pack  <b>X301</b> 8" Trim Ring  <b>X302</b> 6¼" Trim Ring  <b>G225</b> 8" Drip Pan  <b>G229</b> 6¼" Drip Pan</p>	
<p><b>Notes:</b> Accessories for complete assemblies part nos. 166, 167 and 171.</p>		

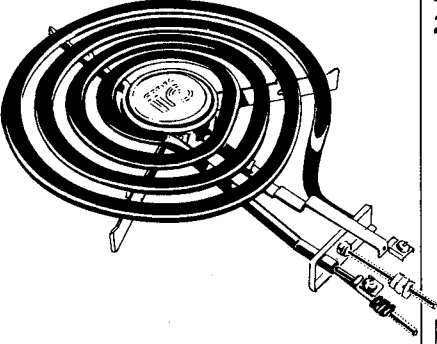
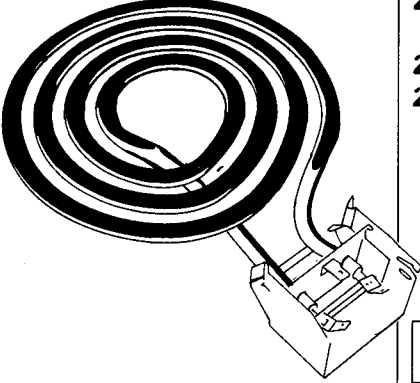
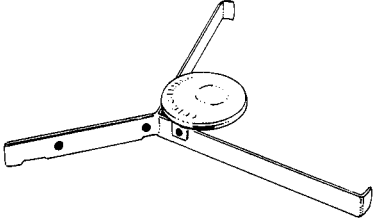
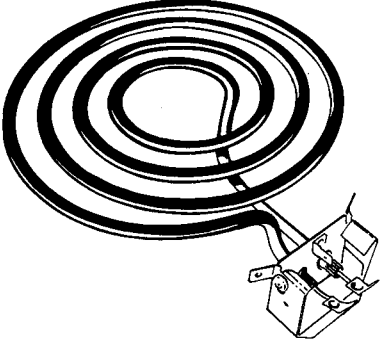
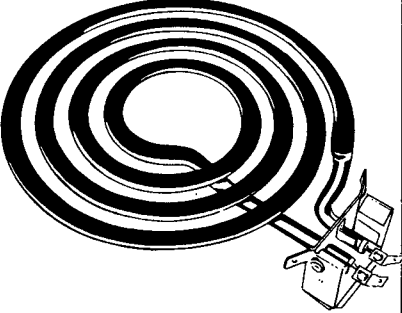
## Wired-in (cont.)

	<p><b>1501</b> 8" 2100 Watt Element  <b>1503</b> 6¼" 1250 Watt Element</p>	
<p><b>Notes:</b> Hinged type used in some New World and GEC models. 1501 replaces 2321 and 821420, 1503 replaces 2322.</p>		
	<p><b>1779</b> 8" 2100 Watt Element  <b>1778</b> 6¼" 1250 Watt Element</p>	
<p><b>Notes:</b> Fixed plate type used in some Metters models.</p>		
	<p><b>1827-10</b> 8" 2100 Watt Element  <b>1826-10</b> 6¼" 1250 Watt Element</p>	
<p><b>Notes:</b> Fixed plate type 1827-10 replaces 2627 and 1826-10 replaces 2626.</p>		
	<p><b>1980</b> 180mm 1800w Monotube  <b>1982</b> 145mm 1200w Monotube  <b>1984</b> 145mm 900w Monotube</p> <p><b>1980-19</b> 180mm Support  <b>1982-19</b> 145mm Support  <b>1985</b> NLA. Replace with 1982 and change control unit.</p>	
<p><b>Notes:</b> "Short Shank" swivel type hotplates used in Chef ranges. (To suit enamel type hobs)</p>		

Wired-in (cont.)

	<p><b>2070</b> 180mm 1800w Monotube  <b>2071</b> 145mm 1200w Monotube  <b>2073</b> 145m 900w Monotube</p>	
<p><b>Notes:</b> "Short Shank" swivel type hot plates used in some early Chef ranges.</p>		
	<p><b>2092</b> 180mm 1800w Monotube  <b>2093</b> 145mm 1200w Monotube  <b>2095</b> 145mm 900w Monotube</p> <p><b>2092-07</b> 180mm Drip Pan/Reflector  <b>2093-07</b> 145mm Drip Pan/Reflector  <b>2092-29</b> 180mm Support  <b>2093-29</b> 145mm Support</p>	
<p><b>Notes:</b> "Long Shank" swivel type hot plates used in Chef ranges. (To suit glass top hobs)</p>		
	<p><b>2421</b> 200mm 2100 Watt Element  <b>2423</b> 160mm 1250 Watt Element</p> <p><b>2421-19</b> 200mm Support  <b>2423-19</b> 160mm Support</p>	
<p><b>Notes:</b> Hinged (lift and lock) type 2421 replaces 42077 and 2756, 2423 replaces 42076 and 2755.</p>		
	<p><b>2431</b> 8" 2100 Watt Element  <b>2433</b> 6¼" 1250 Watt Element  <b>2432</b> 6¼" 1500 Watt Element</p>	
<p><b>Notes:</b> Lift up type element used in some Malleys models. 2431 replaces P10168, 4800-338 and 2433 replaces P10167, 4800-334.</p>		

## Wired-in (cont.)

	<p><b>2501</b> 8" 2100 Watt Element  <b>2503</b> 6¼" 1250 Watt Element  <b>2502</b> 6¼" 1500 Watt Element                      (2502 limited availability)</p>	
	<p><b>2521</b> 200mm 2100 Watt Element  <b>2523</b> 160mm 1250 Watt Element</p> <p><b>2521-19</b> 200mm Support  <b>2523-19</b> 160mm Support</p>	
	<p><b>2561</b> 8" 2100 Watt Element  <b>2563</b> 6¼" 1250 Watt Element  <b>2564</b> 6¼" 750 Watt Element</p>	
	<p><b>2571</b> 8" 2100 Watt Element  <b>2573</b> 6¼" 1250 Watt Element  <b>2574</b> 6¼" 750 Watt Element</p>	

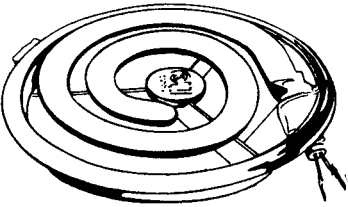
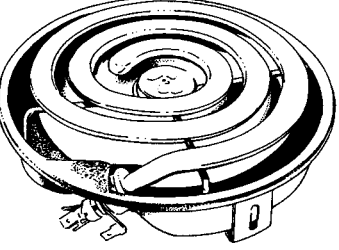
**Notes:** Early model wired-in used in Westinghouse, New World, Davell and Roden models. 2501 replaces 106865, 2503 replaces 106864.

**Notes:** Hinged (lift and lock) type. 2521 replaces 42079 and 823086, 2523 replaces 42078 and 823085.

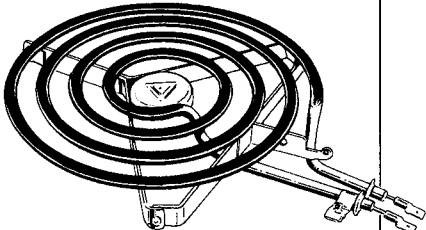
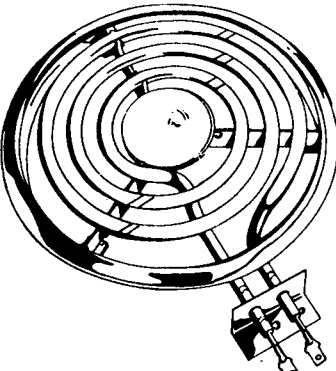
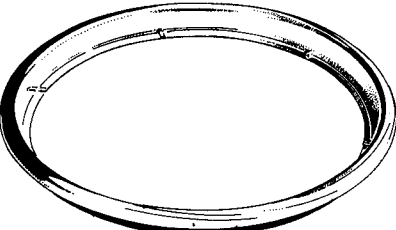
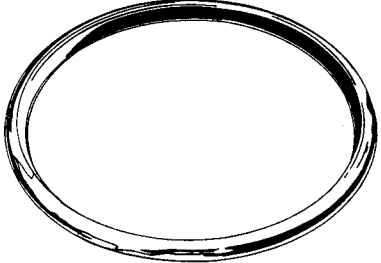
**Notes:** Hinged lift up type 5/16" tube used in later Metters models. 2561 replaces FL050000, 2563 replaces FL060000, 2564 replaces FL060001.

**Notes:** Hinged lift up type 3/8" tube used in later Westinghouse models. 2571 replaces FL070000, 2573 replaces FL080000, 2574 replaces FL080001.

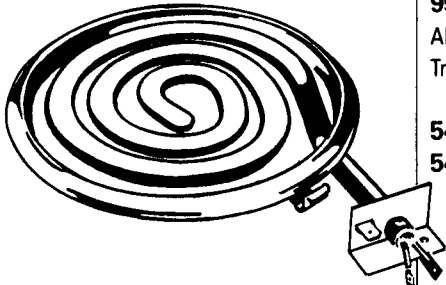
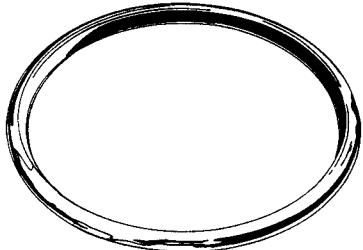
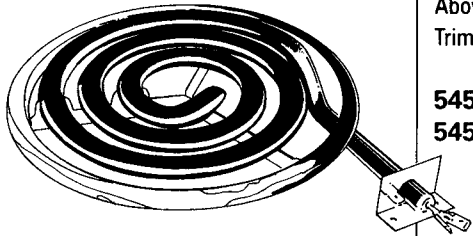
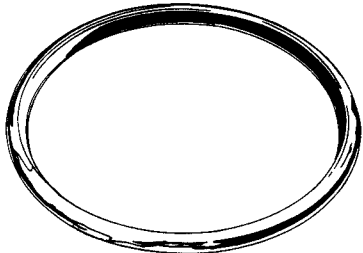
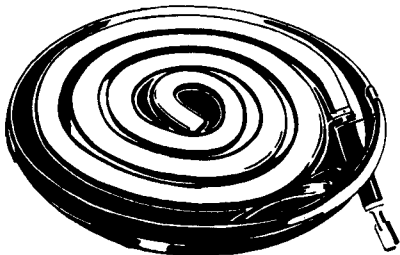
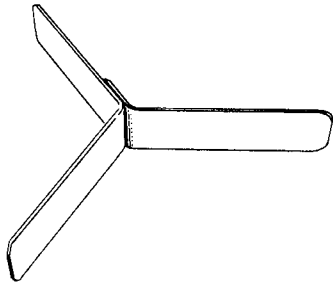
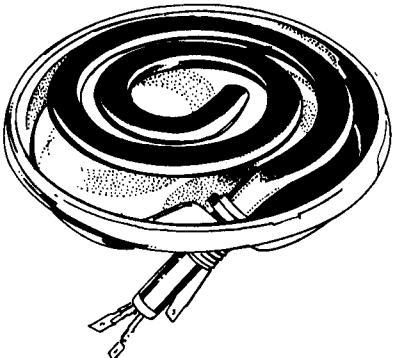
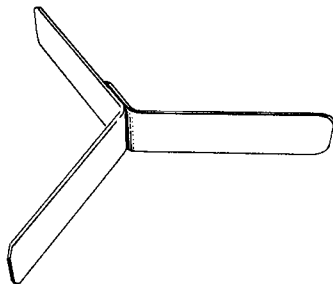
Wired-in (cont.)

	<p><b>3560</b>      180mm 1800w Monotube  <b>3562</b>      145mm 1200w Monotube  <b>3564</b>      145mm 900w Monotube</p>	
	<p><b>3710</b>      180mm 1800w 3 wire elem.  <b>3713</b>      145mm 1200w 2 wire elem.</p> <p><b>3711</b>      180mm  <b>3712</b>      145mm</p> <p>Both the above elements are no longer available. Replace above with 3710 and 3713 (see note below).</p>	
	<p><b>Notes:</b> Used in recent Chef models.      <b>Note:</b> When changing 3 wire to 2 wire element a new control may be required. Check with your local supplier or Chef for information.</p>	

## Wired-in (cont.)

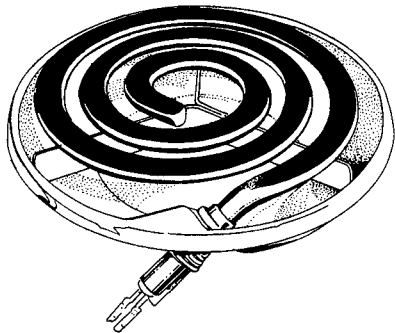
	<p><b>9518</b> 8" 2050 Watt Element <b>9517</b> 6¼" 1250 Watt Element</p>	
<p><b>Notes:</b> Naked elements to suit Email 2186G2 and 2189G2. 9518 replaces Email 2170G2, 9517 replaces Email 2169G2. When replacing the complete unit use Stokes 1090 and 1091 assemblies.</p>		
	<p><b>9525</b> 180mm 1800 Watt Element <b>9523</b> 145mm 1100 Watt Element <b>9524</b> 145mm 750 Watt Element</p> <p>All above units come complete with Stainless Steel Trim Rings</p> <p>ACCESSORIES - See below items 9525-09 etc.</p>	
<p><b>Notes:</b> Wired-in elements to suit Westinghouse "D" series ranges. 9525 replaces FV11A000, 9523 replaces FV10A000, 9524 replaces FV10A001.</p>		
	<p><b>9525-09</b> 180mm Trim Ring suits Stokes 9525 elements <b>9523-09</b> 145mm Trim Ring suits Stokes 9523 elements <b>545-1-907</b> 180mm Trim Ring suits Email FV11A000 elements <b>545-1-908</b> 145mm Trim Ring suits Email FV10A000 and FV10A001 elements</p>	
<p><b>Notes:</b> When replacing Trim Ring on original Email elements FV10A and FV11A you must use 545-1-907 and 545-1-908 as these rings are not interchangeable with Stokes 9525-09 and 9523-09.</p>		

**Wired-in (cont.)**

	<p><b>9528</b> 180mm 1800w Monotube  <b>9527</b> 145mm 750w Monotube  <b>9526</b> 145mm 1200w Monotube            Above elements come complete with Trim Rings.</p> <p><b>545-1-907</b> 180mm Trim Ring  <b>545-1-908</b> 145mm Trim Ring</p>	
<p><b>Notes:</b> Monotube and Trim Ring Assembly (element has 4 turns) replaces Email FV28A000 = 9528. FV25A000 = 9526. FV25A001 = 9527.</p>		
	<p><b>9728</b> 180mm 1800w Monotube  <b>9727</b> 145mm 750w Monotube  <b>9726</b> 145mm 1200w Monotube            Above elements come complete with Trim Rings.</p> <p><b>545-1-907</b> 180mm Trim Ring  <b>545-1-908</b> 145mm Trim Ring</p>	
<p><b>Notes:</b> Monotube and Trim Ring Assembly, same as above except elements have 3 turns. Replaces Email FW39/40 and 400001.</p>		
	<p><b>9529</b> 180mm 1800w Monotube  <b>9530</b> 145mm 1200w Monotube            Above elements come complete with Drip Pans.</p> <p><b>9529-19</b> 180mm Support  <b>9530-19</b> 145mm Support</p>	
<p><b>Notes:</b> Monotube Assembly - Element has 4 turns replaces FU520000 = 9529 and FU53A000 = 9530.</p>		
 <p>Also available with Black and Silver Ash Drip Pans. See next page for full listing.</p>	<p><b>9729BR</b> 180mm 1800w Monotube  <b>9730BR</b> 145mm 1200w Monotube  <b>9775BR</b> 145mm 750w Monotube            Above elements come complete with <b>Brown Enamel Drip Pans.</b></p> <p><b>9529-19</b> 180mm Support  <b>9530-19</b> 145mm Support</p>	
<p><b>Notes:</b> Monotube Assembly - Same as above except elements have 3 turns. Replaces Email FX830000 and FX840000.</p>		

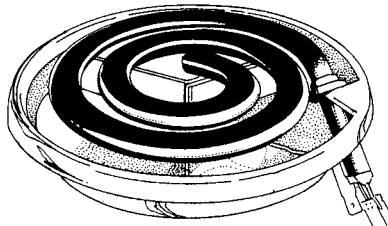


## Wired-in (cont.)



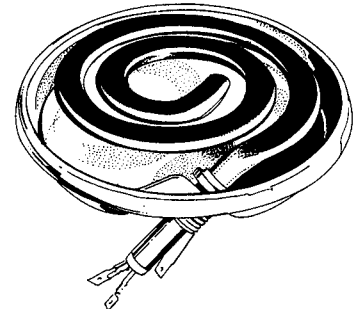
**"Brown Bowl"**

**Cat No. 9729BR**  
180mm 1800 Watt Monotube  
3 turn assembly - Replaces Westinghouse  
P/No. 0054002379



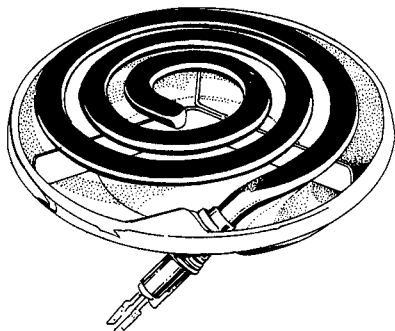
**"Brown Bowl"**

**Cat No. 9730BR**  
145mm 1200 Watt Monotube  
3 turn assembly - Replaces Westinghouse  
P/No. 0054002381



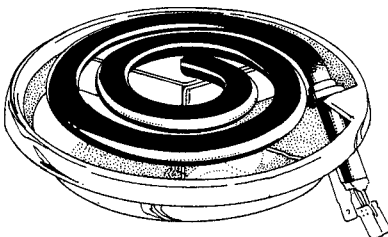
**"Brown Bowl"**

**Cat No. 9775BR**  
145mm 750 Watt Monotube  
3 turn assembly - Replaces Westinghouse  
P/No. 0054002380



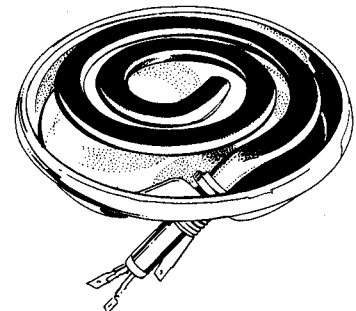
**"Black Bowl"**

**Cat No. 9729BL**  
180mm 1800 Watt Monotube  
3 turn assembly - Replaces Westinghouse  
P/No. 0054002368



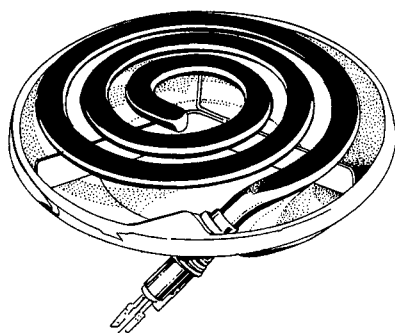
**"Black Bowl"**

**Cat No. 9730BL**  
145mm 1200 Watt Monotube  
3 turn assembly - Replaces Westinghouse  
P/No. 0054002370



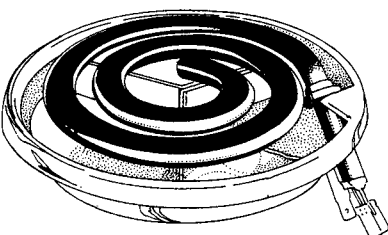
**"Black Bowl"**

**Cat No. 9775BL**  
145mm 750 Watt Monotube  
3 turn assembly - Replaces Westinghouse  
P/No. 0054002369



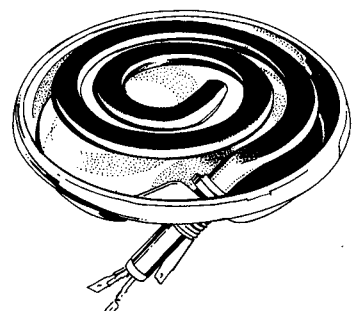
**"Silver Ash Bowl"**

**Cat No. 9729SA**  
180mm 1800 Watt Monotube  
3 turn assembly - Replaces Westinghouse  
P/No. 0054002373



**"Silver Ash Bowl"**

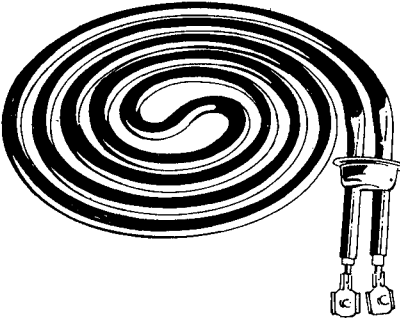
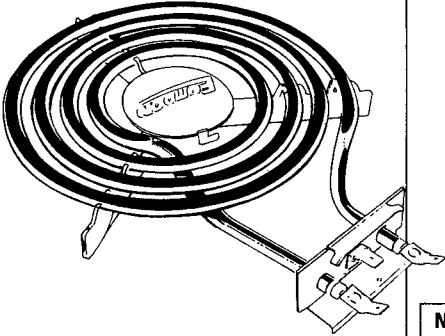
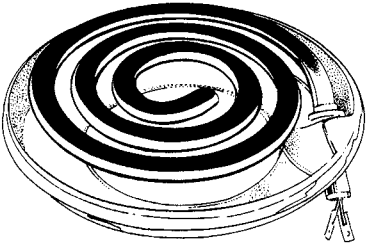
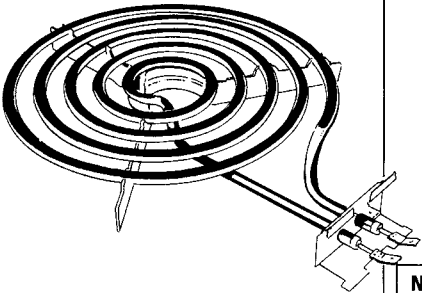
**Cat No. 9730SA**  
145mm 1200 Watt Monotube  
3 turn assembly - Replaces Westinghouse  
P/No. 0054002375



**"Silver Ash Bowl"**



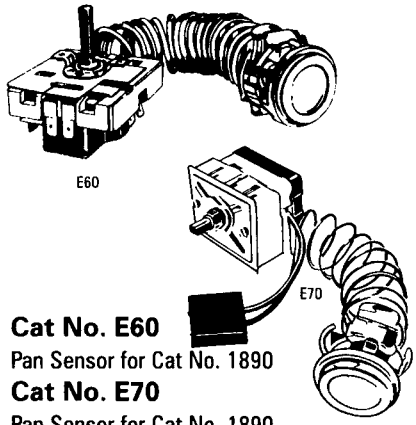
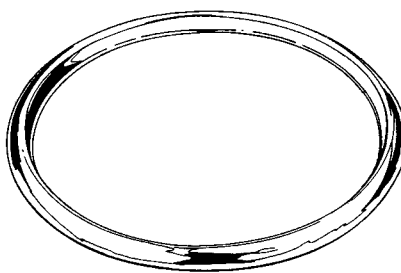
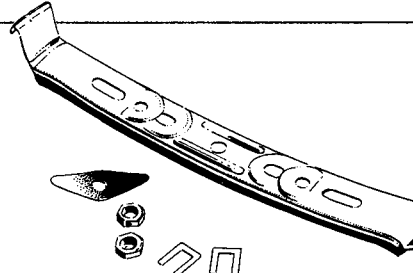
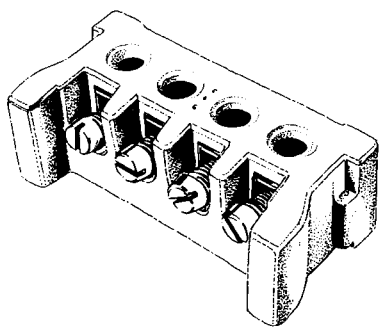
**Cat No. 9775SA**  
145mm 750 Watt Monotube  
3 turn assembly - Replaces Westinghouse  
P/No. 0054002374

Wired-in (cont.)

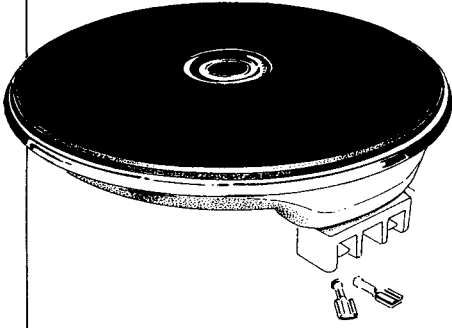
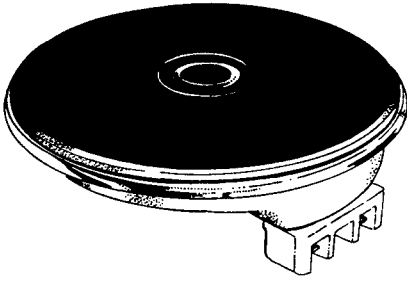
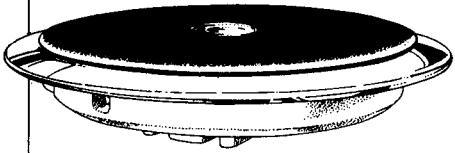
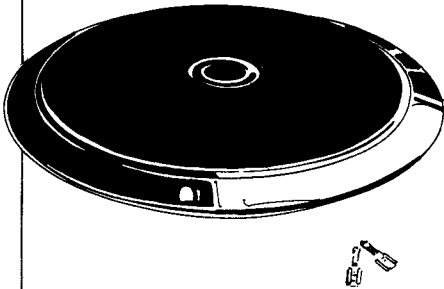
	<p><b>9807</b> 150mm Hot Plate "Blow" <b>9808</b> 200mm Hot Plate "Calm"</p>	
<p><b>Note:</b> Above elements suit some Fisher &amp; Paykel ranges. 9807 replaces 83287, 9808 replaces 83288.</p>		
	<p><b>9833</b> 6¼" Hot Plate</p>	
<p><b>Note:</b> 9833 used in some Fisher &amp; Paykel models. Replaces Fisher &amp; Paykel P/No. Wrangle.</p>		
	<p><b>9965BR</b> 180mm Element c/w Brown Bowl <b>9965SA</b> 180mm Element c/w S/Ash Bowl <b>9966BR</b> 145mm Element c/w Brown Bowl <b>9966SA</b> 145mm Element c/w S/Ash Bowl</p>	
<p><b>Note:</b> Used in some Westinghouse/Simpson ranges. 9965BR replaces 0054002371 • 9965SA replaces 0054002373 9966BR replaces 0054002372 • 9966SA replaces 0054002375 9833 6¼" Hot Plate</p>		
	<p><b>9968</b> 180mm 2050w Hot Plate <b>9969</b> 145mm 1500w Hot Plate</p>	
<p><b>Note:</b> Used in some Simpson ranges. 9968 replaces Simpson P/No. 122-4-370 9969 replaces Simpson P/No. 122-4-371</p>		

Wired-in – Future Products


**Solid Hotplates**

<p>Cast Type (European made) <b>HIGH PROFILE 8mm TRIM</b></p> 	<p><b>1889</b> 180mm 2000w Hot Plate Ego Ref 12.18454.693</p> <p><b>1888</b> 145mm 1500w Hot Plate Ego Ref 12.14454.693</p> <p><b>9615</b> 145mm 1000w Hot Plate Ego Ref 12.14453.683</p> <p><b>1890</b> 145mm 1500w Auto H/Plate Ego Ref 12.14356.693</p>	<p><b>Notes:</b> 1890 Auto Hot Plate has provision for Sensor. When replacing original 2 terminal hot plates with the current 4 terminal replacements bridge terminals 1 &amp; 2 and 3 &amp; 4 with bar supplied.</p>
<p>Cast Type (European made) <b>LOW PROFILE 4mm TRIM</b></p> 	<p><b>9767</b> 180mm 2000w Hot Plate Ego Ref 13.18454.690</p> <p><b>9766</b> 145mm 1500w Hot Plate Ego Ref 13.14454.690</p> <p><b>9617</b> 145mm 1000w Hot Plate Ego Ref 13.14453.683</p> <p><b>9768</b> 145mm Sensor Type Ego Ref 13.14356.640</p>	
 <p><b>Cat No. E60</b> Pan Sensor for Cat No. 1890</p> <p><b>Cat No. E70</b> Pan Sensor for Cat No. 1890</p>	 <p><b>Cat No. 1889-06</b> 180mm metric adapt. ring - glass top hobs</p> <p><b>Cat No. 1888-06</b> 145mm metric adapt. ring - glass top hobs</p>	 <p><b>Cat No. EF48</b> 180mm mounting kit</p> <p><b>Cat No. EF47</b> 145mm mounting kit</p> <p><b>MOUNTING KIT (LEAF TYPE) FOR SOLID HOT PLATES</b></p>
 <p><b>Cat No. 7402</b> Four wire terminal block used in European made Ego Hot Plates - Ego Ref 12.270.031</p>		

## Solid Hot Plates (cont.)


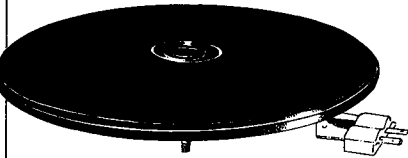
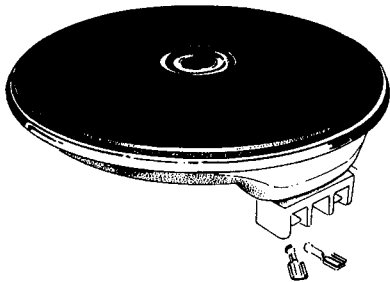

<p>Sintered Type (Australian made) <b>HIGH PROFILE 8.5mm RING</b></p> 	<p><b>2401</b> 180mm 2000 Watt "Supa-Fast" Hot Plate</p> <p><b>2402</b> 145mm 1500 Watt "Supa-Fast" Hot Plate</p>	
<p>Sintered Type (Australian made) <b>LOW PROFILE 4.5mm RING</b></p> 	<p><b>3401</b> 180mm 2000 Watt "Supa-Fast" Hot Plate</p> <p><b>3402</b> 145mm 1500 Watt "Supa-Fast" Hot Plate</p>	
<p>Sintered Type (Australian made) <b>FLAT PROFILE</b></p> 	<p><b>3531</b> 180mm 2000w Hot Plate</p> <p><b>3532</b> 145mm 1500w Hot Plate</p> <p>Flat profile, S/Steel Ring c/w Ceramic Insulator for extra glass projection.</p>	
<p>Sintered Type (Australian made) <b>FLAT PROFILE</b></p> 	<p><b>3581</b> 180mm 2000w Hot Plate</p> <p><b>3582</b> 145mm 1500w Hot Plate</p> <p>This range is no longer available - Replace 3581 with 3531 and 3581-05. Replace 3582 with 3532 and 3582-05.</p>	

**Notes:** This series used in some Chef ranges. Also used for replacing imported "cast type" solid hot plates.

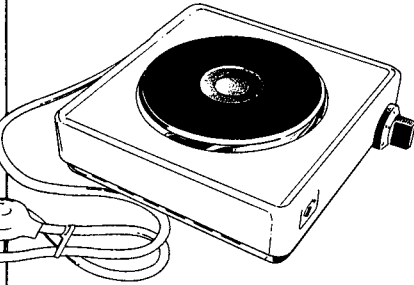
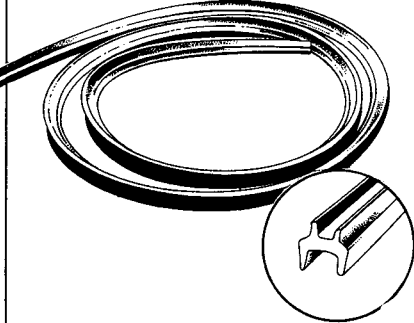
**Notes:** This series used in some Chef ranges. Also used for replacing imported "cast type" solid hot plates.

**Notes:** Used in later Chef ranges. Replaces 3581 and 3582 when used with new locating bowls

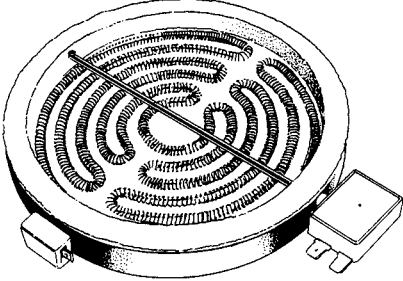
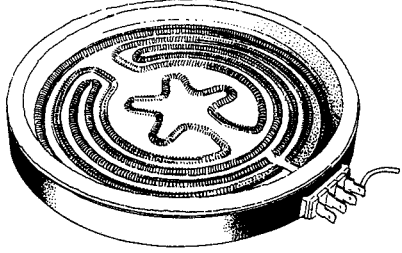
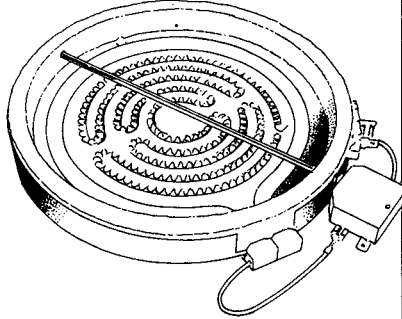
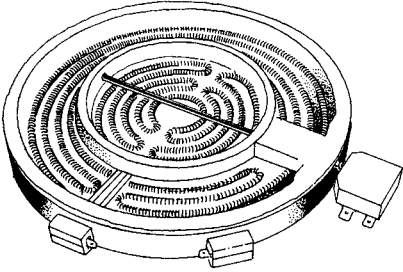
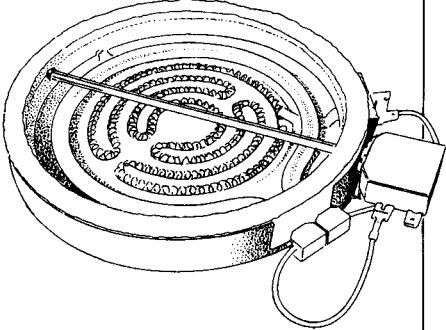
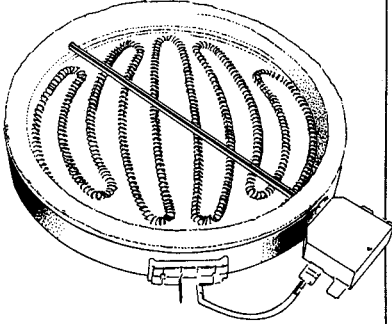
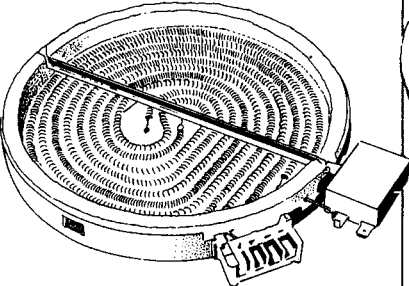
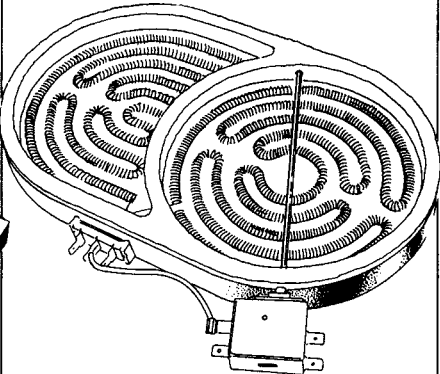
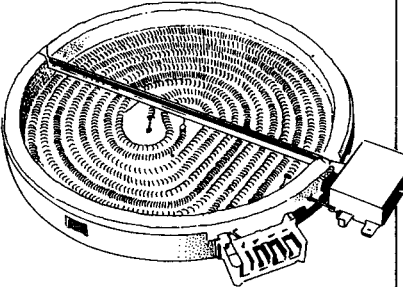
Solid Hotplates (cont.)

<p>Sintered Type (Australian made) <b>NO RING PROFILE</b></p> 	<p><b>3631</b> 180mm 2000w Hot Plate <b>3632</b> 145mm 1500w Hot Plate</p>	
<p><b>Notes:</b> Used in some Chef ranges. Identified by the letter "S" in centre and has no Trim Ring.</p>		
<p>Sintered Type (Australian made) <b>NO RING PROFILE</b></p> 	<p><b>3731</b> 180mm 2000w Hot Plate <b>3732</b> 145mm 1500w Hot Plate <b>3738</b> 145mm 1000w Hot Plate</p>	
<p><b>Notes:</b> Used in some Simpson, Westinghouse and Kleen Maid ranges.</p>		
<p>Sintered Type (Australian made) <b>HIGH PROFILE</b></p> 	<p><b>3751</b> 180mm 2000w Hot Plate <b>3752</b> 145mm 1500w Hot Plate</p>	
	<p><b>9970</b> 180mm 2050w Hot Plate <b>9971</b> 145mm 1500w Hot Plate</p>	
<p><b>Notes:</b> Used in some Simpson Ranges. 9970 replaces Simpson P/No. 122-4-374 9971 replaces Simpson P/No. 122-4-373.</p>		

## Solid Hot Plates (cont.)

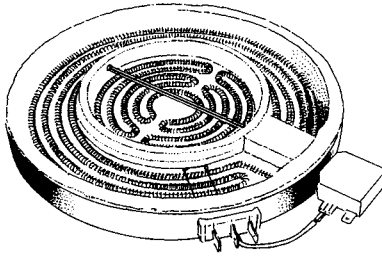
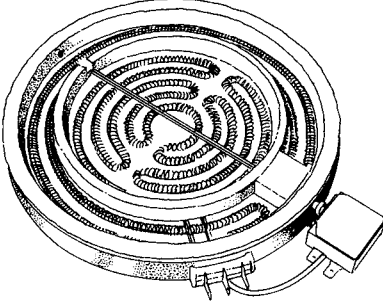
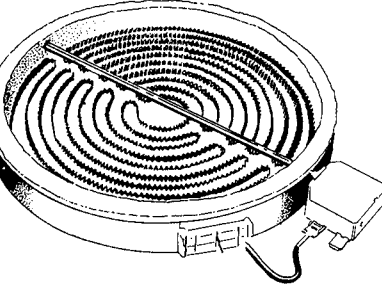
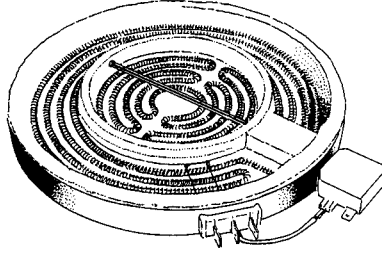
<p>Sintered Type (Australian made) <b>LOW PROFILE TYPE</b></p> <p><b>LIMITED AVAILABILITY</b></p>	<p><b>3409</b>      145mm 1500 Watt Element</p>	
<p><b>Notes:</b> Used in Robinsons New Zealand Brand Hobs.</p>		
<p><b>LIMITED AVAILABILITY</b></p>	<p><b>3825</b>      180mm 2000 Watt Element</p>	
<p><b>Notes:</b> Used in Furphy Kangaroo Stove Company units.</p>		
	<p><b>9677</b>      145mm Cooking Unit <b>9678</b>      180mm Cooking Unit</p>	
<p><b>Note:</b> E.G.O. 145mm = HM6    180mm = HM8</p>		
	<p><b>9938</b>      Gasket – S/Hot Plates <b>9939</b>      Gasket – S/Hot Plates</p>	
<p><b>Notes:</b> Used in Chef ranges between H/Plate and Hob – Chef (9938 = 34610) and (9939 = 42562)</p>		

Under Hob Elements/Ceramic and Glass Cooktops

<p style="text-align: center;"><b>CHEF</b></p>  <p><b>Cat No. 2540</b> 215mm 1800 Watt (Chef P/No. 38288) <b>Cat No. 2542</b> 180mm 1200 Watt (Chef P/No. 38287) <b>Cat No. 2541</b> 160mm 1000 Watt (Chef P/No. 38286)</p>	<p style="text-align: center;"><b>CHEF</b></p>  <p><b>Cat No. 9659</b> 200mm 1700 Watt (Chef P/No. 41077) <b>Cat No. 9658</b> 180mm 1200 Watt (Chef P/No. 41288) QUICKSTAR ELEMENTS</p>	<p style="text-align: center;"><b>CHEF</b></p>  <p><b>Cat No. 9787</b> 200mm 1800 Watt (Chef P/No. 46326) <b>Cat No. 9786</b> 160mm 1200 Watt (Chef P/No. 46327) HALOGEN ELEMENT</p>
<p style="text-align: center;"><b>CHEF</b></p>  <p><b>Cat No. 9796</b> 230mm 2000 Watt (Chef P/No. 41255) CERAMASPEED ELEMENT</p>	<p style="text-align: center;"><b>CHEF</b></p>  <p><b>Cat No. 9797</b> 180mm 1500 Watt (Chef P/No. 43560) HALOGEN ELEMENT</p>	<p style="text-align: center;"><b>CHEF</b></p>  <p><b>Cat No. 9798</b> 180mm 1200 Watt (Chef P/No. 46328) "GLOBAL" TYPE</p>
<p style="text-align: center;"><b>CHEF</b></p>  <p><b>Cat No. 9816</b> 165mm 1000 Watt (Chef P/No. 46330) "GLOBAL" TYPE</p>	<p style="text-align: center;"><b>CHEF</b></p>  <p><b>Cat No. 9817</b> 200mm 1700 Watt (Chef P/No. 46329) "GLOBAL" TYPE</p>	<p style="text-align: center;"><b>CHEF</b></p>  <p><b>Cat No. 9818</b> 165mm 1200 Watt (Chef P/No. 46331) "GLOBAL" TYPE</p>

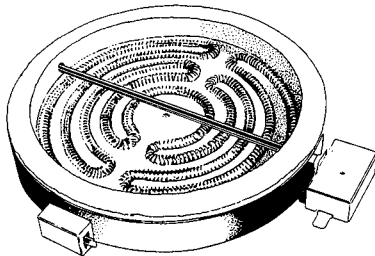


## Under Hob Elements/Ceramic and Glass Cooktops (cont.)

<p style="text-align: center;"><b>CHEF</b></p>	<p style="text-align: center;"><b>CHEF</b></p>	<p style="text-align: center;"><b>CHEF</b></p>
 <p><b>Cat No. 9974</b> 180mm 1200 Watt "Ribbon" Hot Plate Replaces Chef P/No. 48592</p>	 <p><b>Cat No. 9975</b> 200mm 1700 Watt "Ribbon" Hot Plate Replaces Chef P/No. 48593</p>	 <p><b>Cat No. 9976</b> 165mm 1800 Watt "Ribbon" Hot Plate Replaces Chef P/No. 48595</p>
<p style="text-align: center;"><b>CHEF</b></p>	<p style="text-align: center;"><b>CHEF</b></p>	<p style="text-align: center;"><b>CHEF</b></p>
 <p><b>Cat No. 9977</b> 165mm 1200 Watt "Ribbon" Hot Plate Replaces Chef P/No. 48594</p>	<p style="text-align: center;">RESERVED FOR NEW PRODUCTS</p>	<p style="text-align: center;">RESERVED FOR NEW PRODUCTS</p>
<p style="text-align: center;"><b>CHEF</b></p>	<p style="text-align: center;"><b>CHEF</b></p>	<p style="text-align: center;"><b>CHEF</b></p>
<p style="text-align: center;">RESERVED FOR NEW PRODUCTS</p>	<p style="text-align: center;">RESERVED FOR NEW PRODUCTS</p>	<p style="text-align: center;">RESERVED FOR NEW PRODUCTS</p>

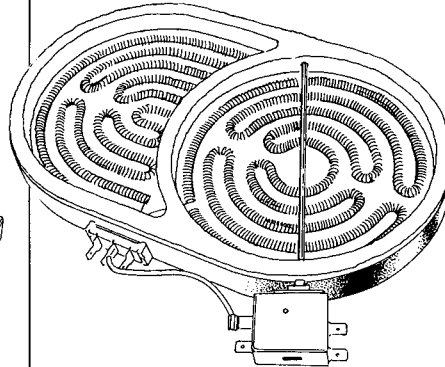
**Under Hob Elements/Ceramic and Glass Cooktops (cont.)**

**FISHER & PAYKEL**



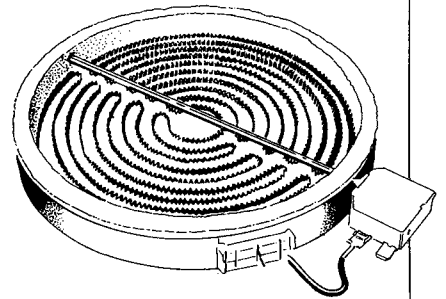
**Cat No. 2541** 160mm 1000 Watt  
Replaces P/No. 355405

**FISHER & PAYKEL**



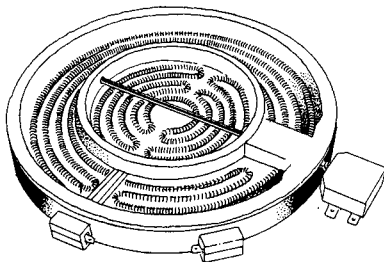
**Cat No. 9788** Oval 1800 Watt  
c/w Sensor – Ceramaspeed  
Replaces P/No. 355304

**FISHER & PAYKEL**



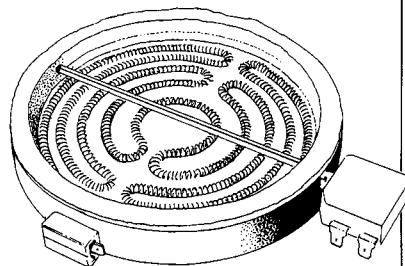
**Cat No. 9790** 200mm 1700 Watt  
c/w Sensor – Ceramaspeed  
Replaces P/No. 355555

**FISHER & PAYKEL**



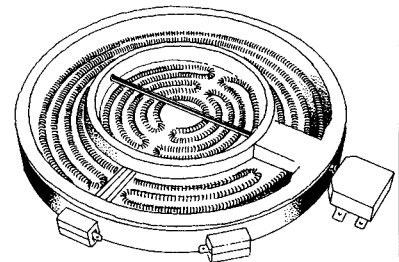
**Cat No. 9796** 230mm 2000 Watt  
Ceramaspeed Element  
Replaces P/No. 355556

**FISHER & PAYKEL**



**Cat No. 9800** 165mm  
Ceramic Element and Limiter  
Replaces P/No. 355301

**FISHER & PAYKEL**



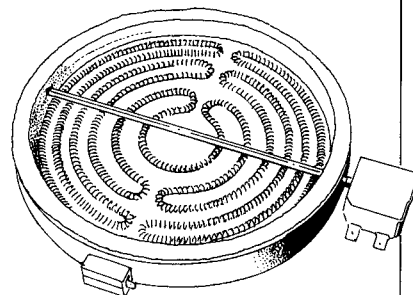
**Cat No. 9801** 120-270mm  
Ceramic Element and Limiter  
Replaces P/No. 355303

**FISHER & PAYKEL**

**NOW REPLACE WITH  
STOKES 9788**

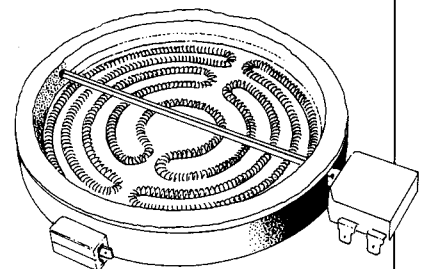
**Cat No. 9802** 165-270mm  
Ceramic Element and Limiter  
Replaces P/No. 355304

**FISHER & PAYKEL**



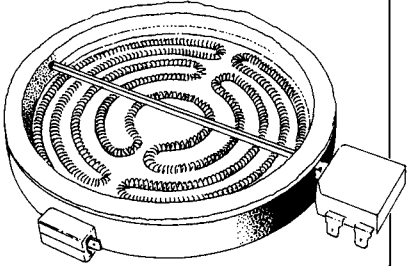
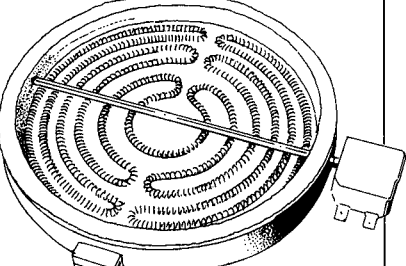
**Cat No. 9803** 200mm  
Ceramic Element and Limiter  
Replaces P/No. 355302

**FISHER & PAYKEL**



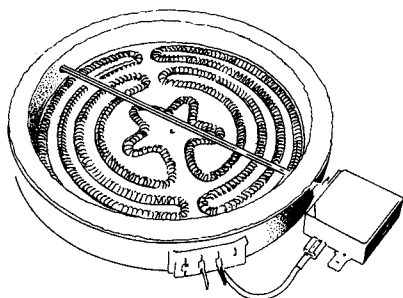
**Cat No. 9815** 165mm 1200 Watt  
c/w Sensor – Ceramaspeed  
Replaces P/No. 355554

## Under Hob Elements/Ceramic and Glass Cooktops (cont.)

<p style="text-align: center;"><b>FISHER &amp; PAYKEL</b></p>  <p><b>Cat No. 9981</b> 165mm 1200 Watt Smooth Top Replaces P/No. 355591</p>	<p style="text-align: center;"><b>FISHER &amp; PAYKEL</b></p>  <p><b>Cat No. 9982</b> 200mm 1700 Watt Smooth Top Replaces P/No. 355592</p>	<p style="text-align: center;"><b>FISHER &amp; PAYKEL</b></p> <p style="text-align: center;">RESERVED FOR NEW PRODUCTS</p>
<p style="text-align: center;"><b>FISHER &amp; PAYKEL</b></p> <p style="text-align: center;">RESERVED FOR NEW PRODUCTS</p>	<p style="text-align: center;"><b>FISHER &amp; PAYKEL</b></p> <p style="text-align: center;">RESERVED FOR NEW PRODUCTS</p>	<p style="text-align: center;"><b>FISHER &amp; PAYKEL</b></p> <p style="text-align: center;">RESERVED FOR NEW PRODUCTS</p>
<p style="text-align: center;"><b>FISHER &amp; PAYKEL</b></p> <p style="text-align: center;">RESERVED FOR NEW PRODUCTS</p>	<p style="text-align: center;"><b>FISHER &amp; PAYKEL</b></p> <p style="text-align: center;">RESERVED FOR NEW PRODUCTS</p>	<p style="text-align: center;"><b>FISHER &amp; PAYKEL</b></p> <p style="text-align: center;">RESERVED FOR NEW PRODUCTS</p>

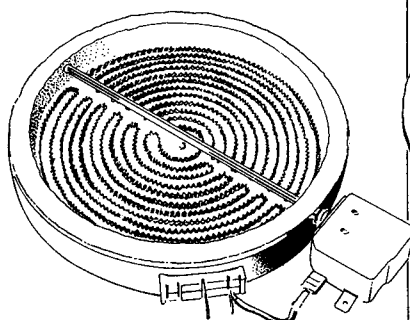
Under Hob Elements/Ceramic and Glass Cooktops (cont.)

SIMPSON



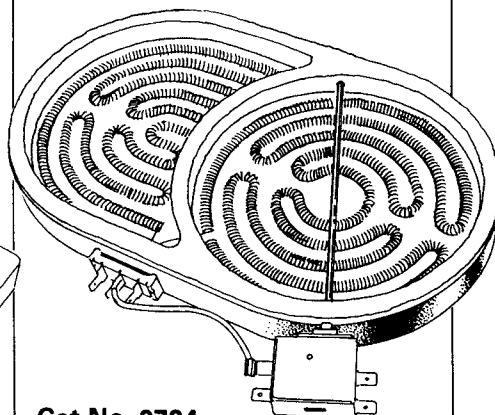
**Cat No. 9791**  
165mm 1200 Watt - Ceramaspeed  
Replaces Simpson 0122777344

SIMPSON



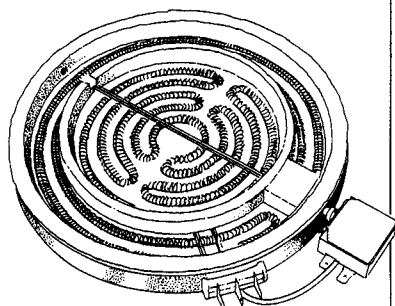
**Cat No. 9793**  
165mm 1200 Watt - Ceramaspeed  
Replaces Simpson 0122777349

SIMPSON



**Cat No. 9794**  
Dual Oval 1000/1800 Watt  
Replaces Simpson 0122777350

SIMPSON



**Cat No. 9795**  
Dual Round 900/1800 Watt  
Replaces Simpson 0122777351

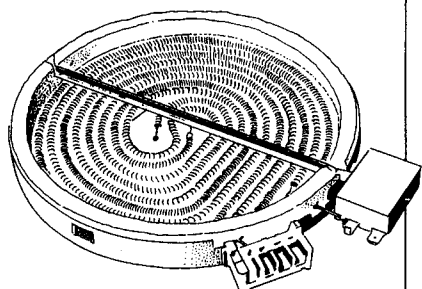
SIMPSON

RESERVED FOR NEW PRODUCT

SIMPSON

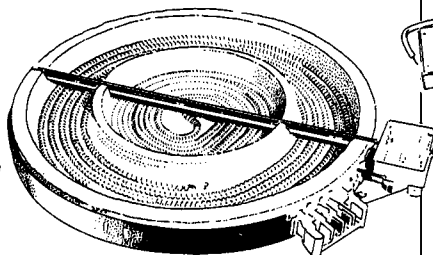
RESERVED FOR NEW PRODUCT

ST. GEORGE



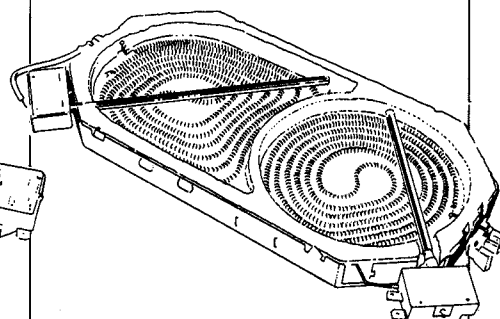
**Cat No. 9674** 200mm 1700 Watt  
**Cat No. 9673** 160mm 1200 Watt

ST. GEORGE



**Cat No. 9675**  
230mm 2100 Watt

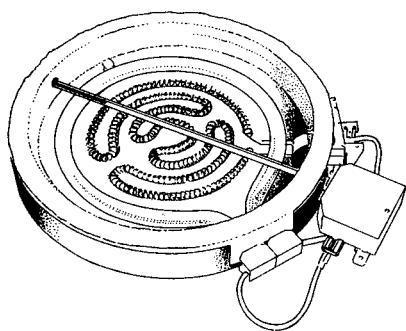
ST. GEORGE



**Cat No. 9676**  
315mm x 165mm 2000 Watt

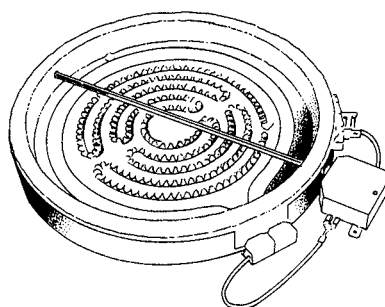
## Under Hob Elements/Ceramic and Glass Cooktops (cont.)

WESTINGHOUSE



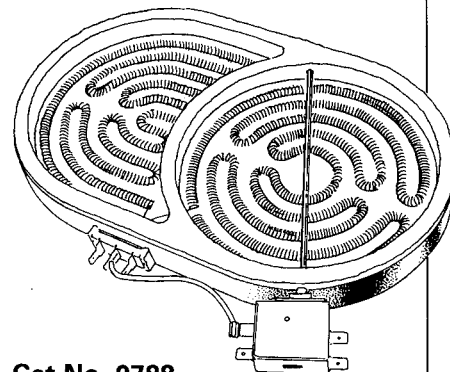
**Cat No. 9786**  
1200 Watt Halo Ring Element  
Replaces P/No. 823331

WESTINGHOUSE



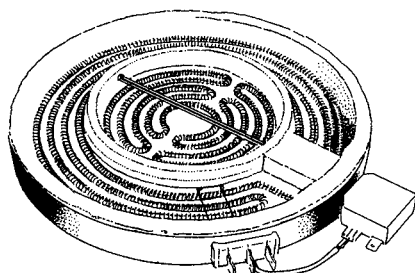
**Cat No. 9787**  
1800 Watt Halo Ring Element  
Replaces P/No. 823332

WESTINGHOUSE



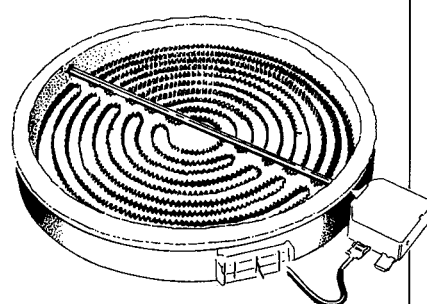
**Cat No. 9788**  
165/270mm Oval 1800 Watt  
C/w Sensor - Ceramaspeed  
Replaces P/No. 823326 & 355557

WESTINGHOUSE



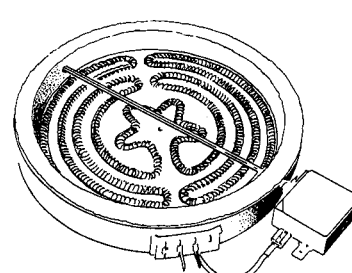
**Cat No. 9789**  
Dual 2100 Watt  
Replaces P/No. 823327

WESTINGHOUSE



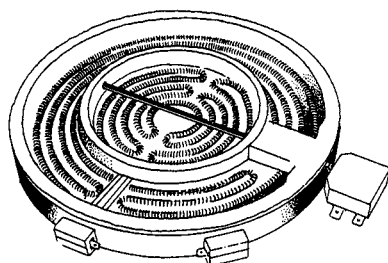
**Cat No. 9790**  
1700 Watt - Ceramaspeed  
Replaces P/No. 823328

WESTINGHOUSE



**Cat No. 9791**  
165mm 1200 Watt - Ceramaspeed  
Replaces P/No. 823329

WESTINGHOUSE



**Cat No. 9796**  
230mm Dual 2100 Watt  
c/w Sensor - Ceramaspeed  
Replaces P/No. 823327

WESTINGHOUSE

RESERVED FOR NEW PRODUCTS

WESTINGHOUSE

RESERVED FOR NEW PRODUCTS